



HDMI Switch

User Manual

1 Introduction

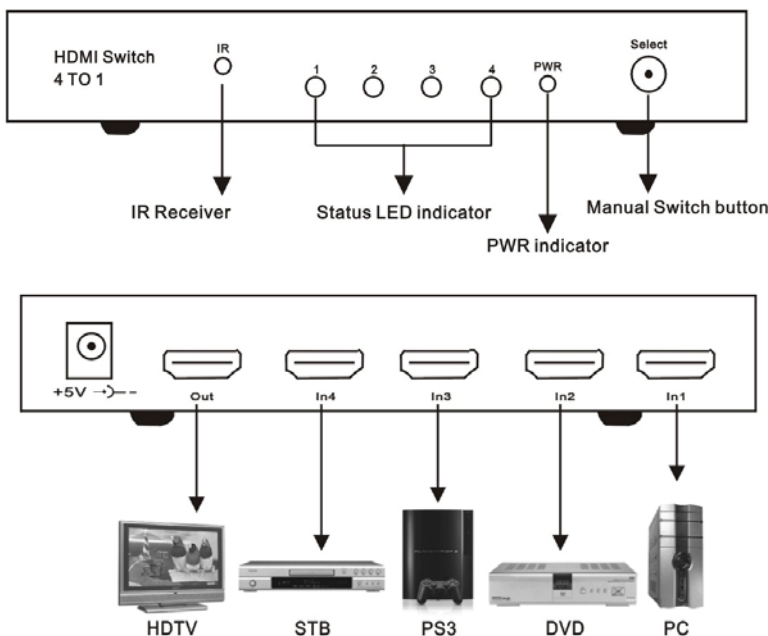
HDMI SWITCH, can have several HDMI devices to share 1 HDMI display, you can switch HDMI devices by manual button or remote control.

2 Features

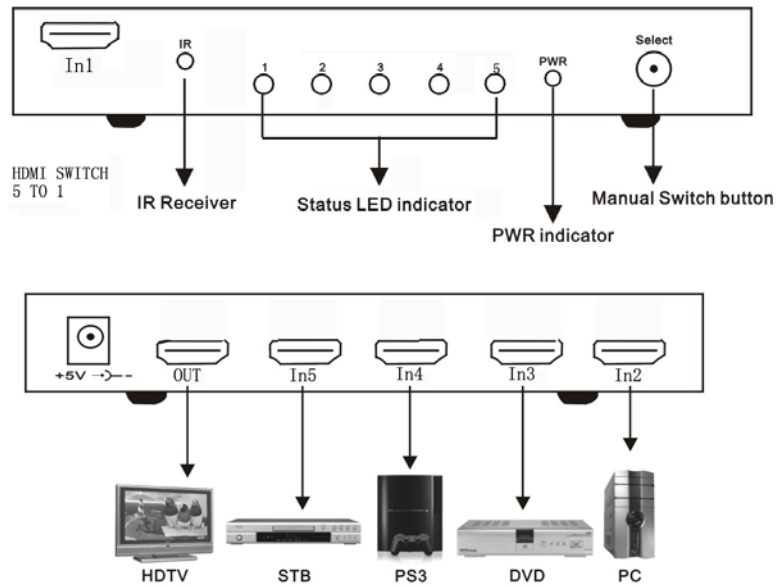
- Save money on hardware-no need multiple high definition displays
- Easily switch of multiple HDMI sources to compatible with DTV resolutions 480i,480p,720i,720p,1080i and 1080p
- Support VGA,SVGA,XGA,UXGA mode
- HDMI Interface is compliant with HDMI 1.3b specification
- Display device selection: push button and remote
- Power adapter:5V 1A
- Plug-and-play, No software installation, Installs in seconds
- Easy to install and simple to operate

3 Application image

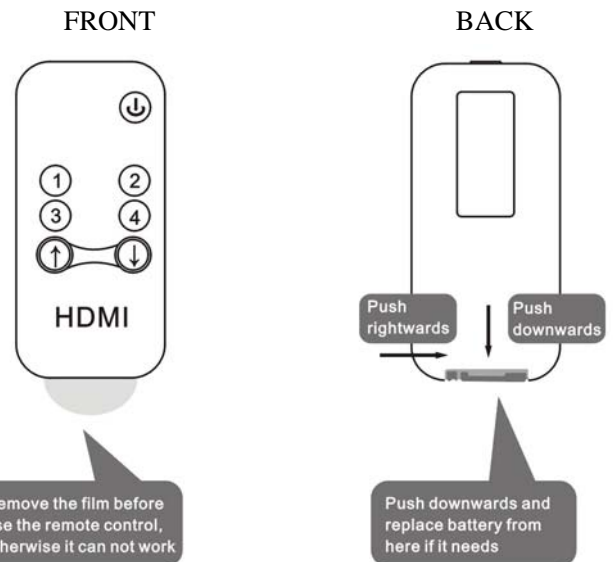
HDMI SWITCH 4 TO 1(2TO1、 3TO1 are similar to 4TO1)



HDMI SWITCH 5 TO 1



4 Remote control image



Remove the film before use the remote control, otherwise it can not work

Push downwards and replace battery from here if it needs

- ⏻ Power On / off HDMI SWITCH
- ① ② → Devices selection button
- ③ ④
- ⬆️ ⬆️ Up / down selection button

5 User Manual

- 1) In1, In2,..... are for the input devices such as DVD\STB\PC, for the details, please refer to the application image
- 2) "Out" is for output device such as HDTV, for the details, please refer to the application image
- 3) There are 2 selections to switch input devices: Manual switch button and remote control
- 4) Status LED indicators: Press power button on the remote control, to switch device power on or off. If power is on, red power status led indicators will light. By switching an input devices, the relative port will light by blue LED indicator.