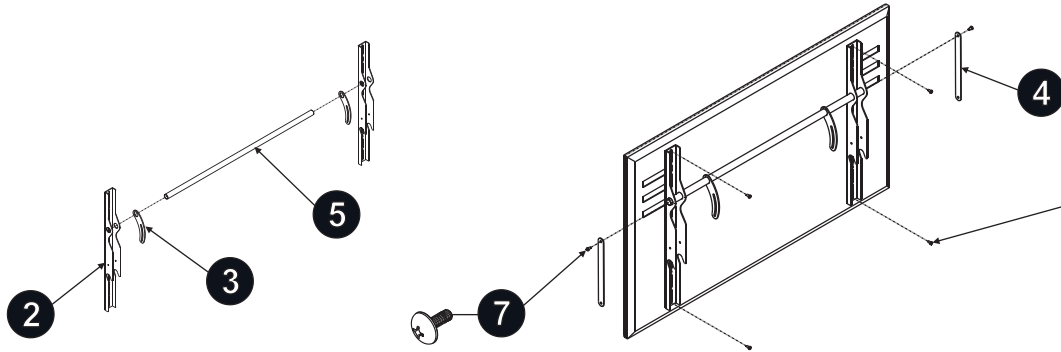




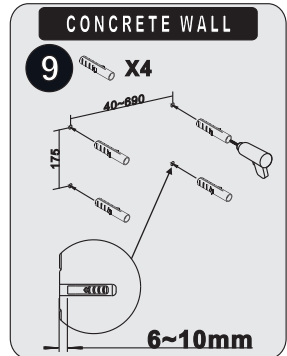
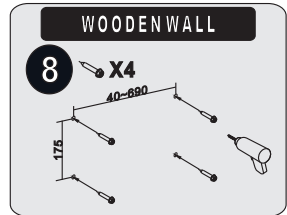
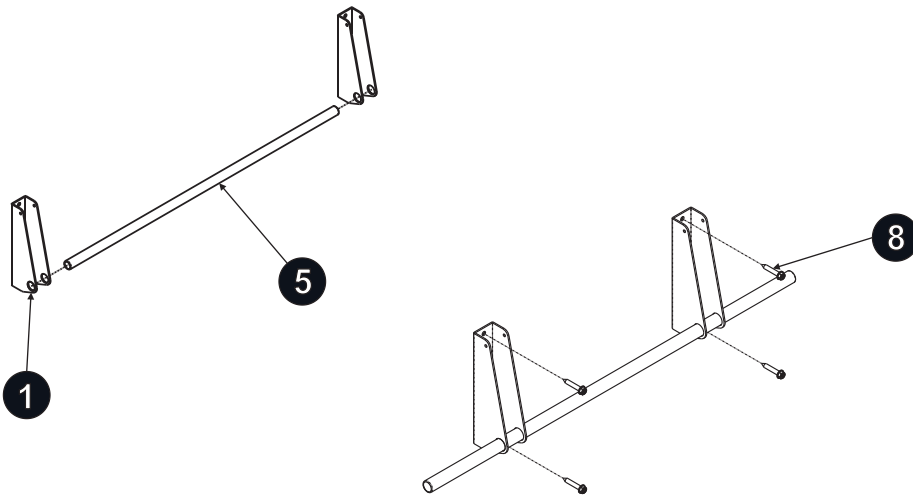
## Installation

I. **WARNING: TV Mounting Arms Must Be Level For Proper Installation.**



SELECT	
10+15+16	M4X30
6+16	M5X15
11+16	M5X30
7	M6X15
12	M6X30
13	M8X15
14	M8X40

II. **Attention: the hole distance should be different with TV hole.**



III.

