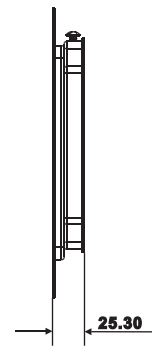
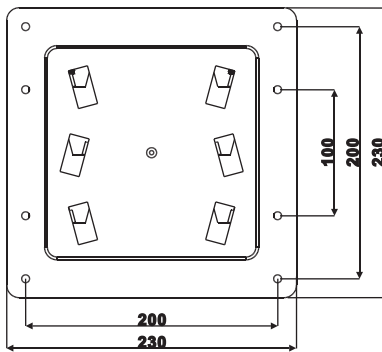
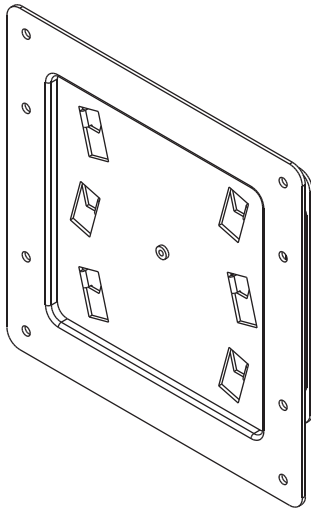




FLAT PANEL TV WALL MOUNT

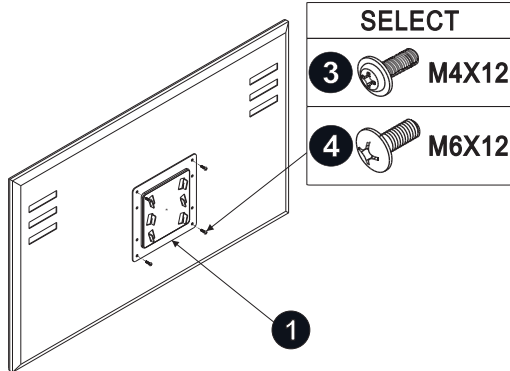
Specification

*Meet VESA standard 100X200, 200x200 mm.
*Strong loading up to 70 kgs LCD Monitor.

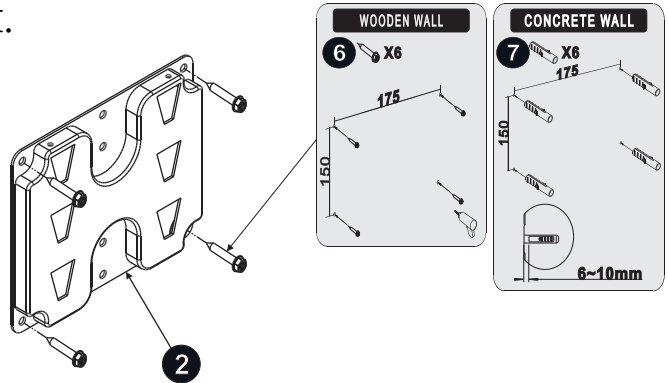


Unit:mm

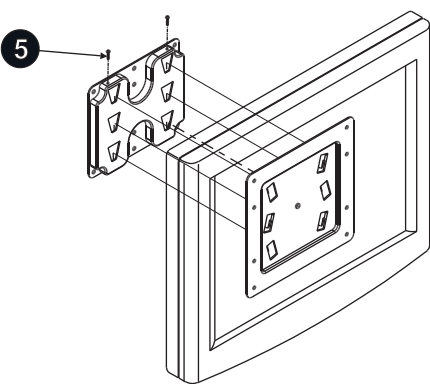
I.



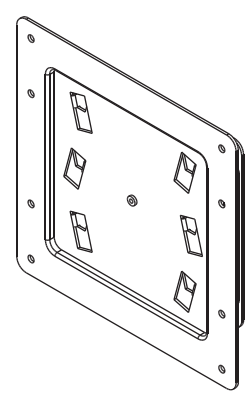
II.



III.



Finish



MAIN PARTS

ITEM	1	2
PARTS		
QTY	1	1

PARTS FOR TV BRACKETS

ITEM	3	4	5
PARTS			
QTY	4	4	2

PARTS FOR WALL BRACKETS

ITEM	6	7
PARTS		
QTY	6	6