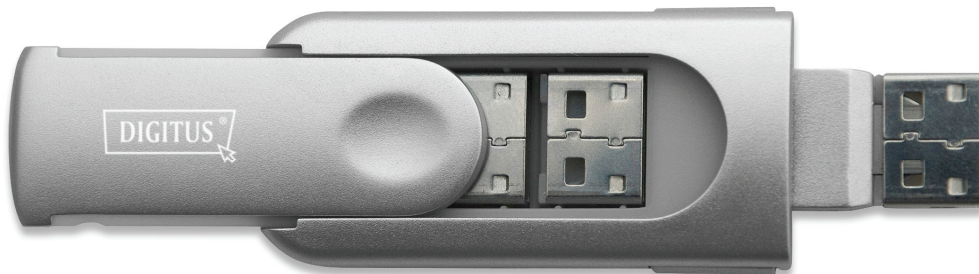




USB PORT BLOCKER



Quick Installation Guide

DA-74010 • DA-74011

FEATURES

- Physically blocks access to a USB port
- Quick and easy to use
- Consists of 4 locks and 1 key
- Customized color: silver or black are optional

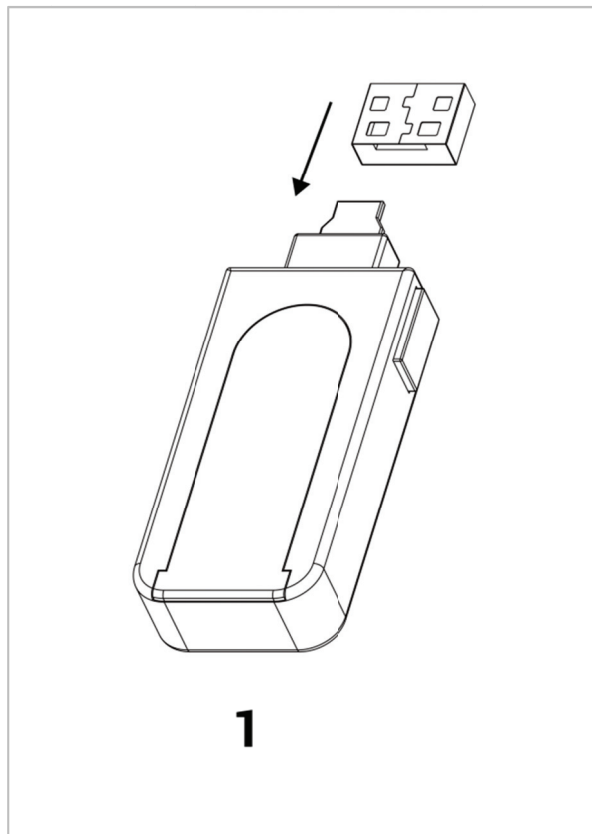
SPECIFICATION

Dimension: 71 x 26 x 11 mm

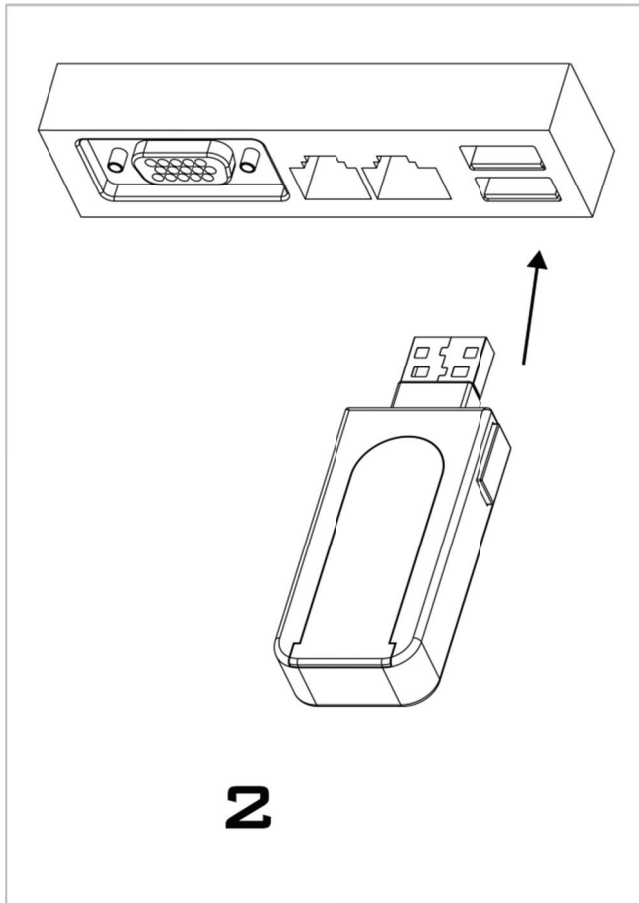
Weight: 12 g

Material: ABS, Metal

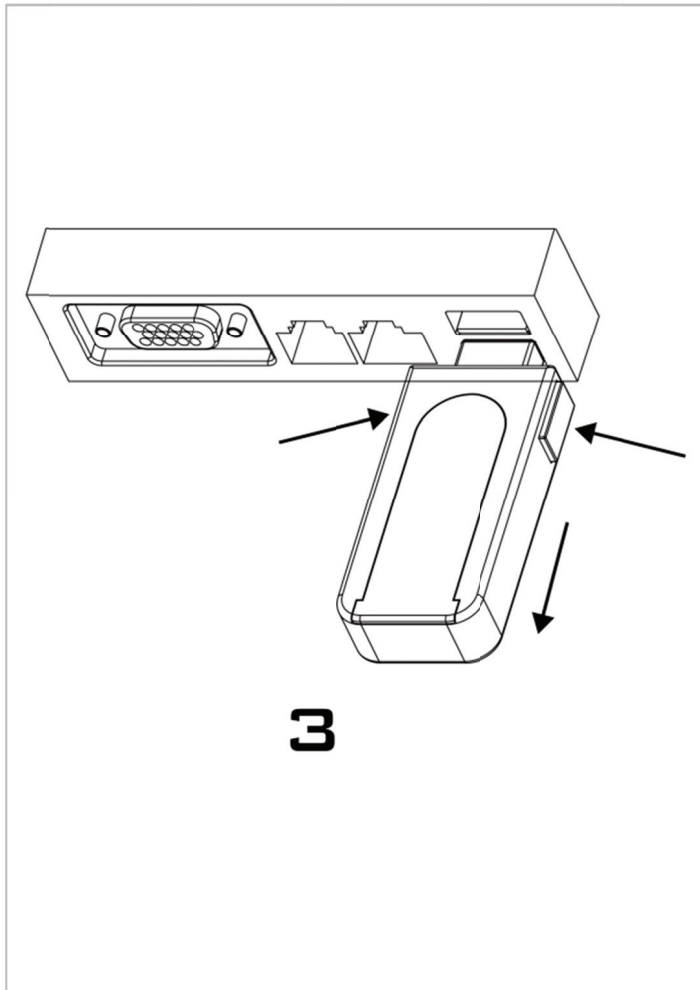
Step 1: Insert the clip on the key



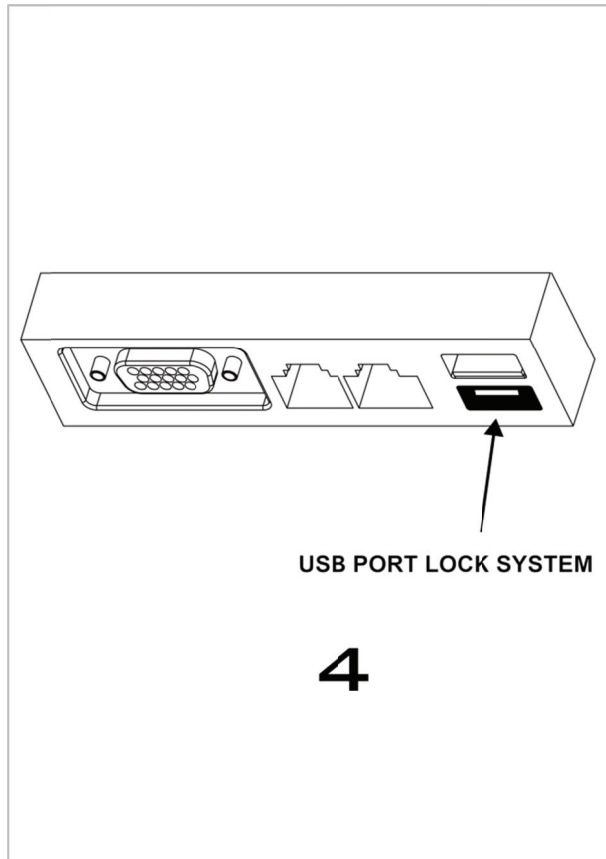
Step 2: Plug in the port blocker to the USB 1.1 / 2.0 / 3.0 port of your device



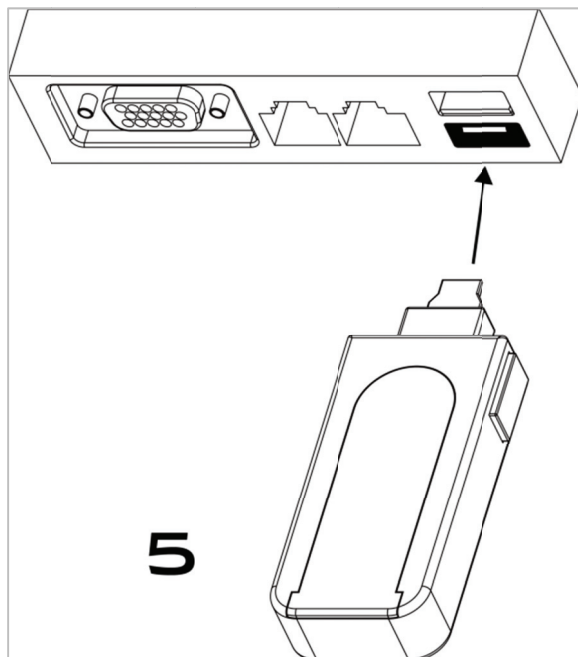
Step 3: Press the two buttons simultaneously and pull out the key



Step 4: The USB 1.1 / 2.0 / 3.0 port is blocked by the clip



Step 5: Plug in the key into the blocked USB port and pull out



Step 6: The clip is removed and the USB port of your device is unlocked.

