

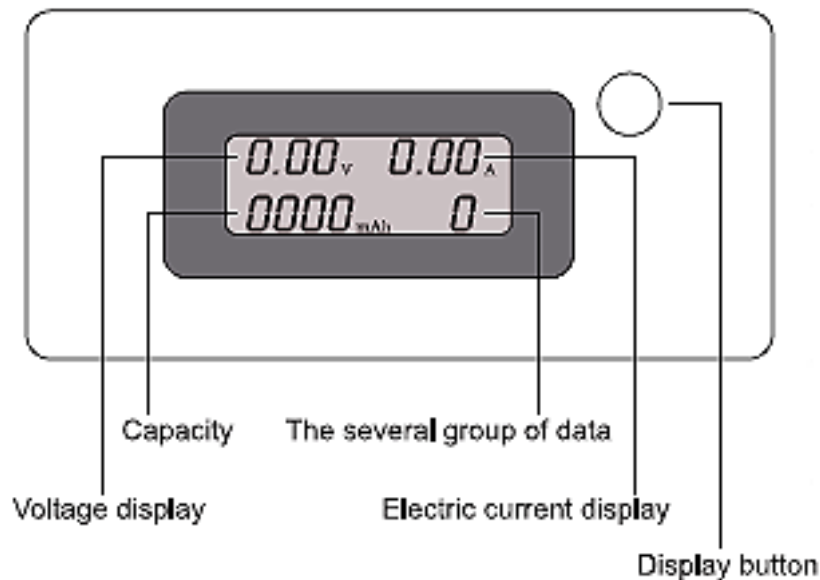


## USB Power Monitor



**Quick Installation Guide**  
DA-70611

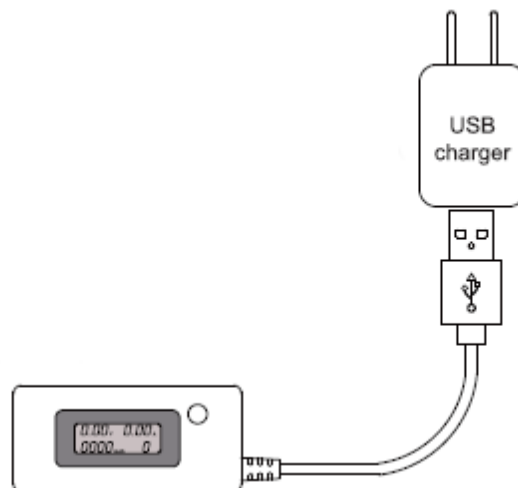
## Performance Parameters



1. INPUT voltage: 3V-7V
2. The INPUT current: <3.4A
3. The display shows voltage, current and discharge capacity  
Total in 10 groups which can be stored
4. The electric current can be calibrated
5. Function:
  - Data communication

### Test voltage current:

Plug in USB charger and insert the tester, which will directly read voltage current parameters.



The device must have the regular USB connector for input, and a micro USB connector which can be used directly with any standard USB charger.



## Setting Instruction

### 1. Data clearance:

Hold the button until the first data moving to next. Release the button. The data has been cleared automatically, and then skip to the next one.

### 2. Data checking mode:

Double-click the button (0.5S or less) enter to the data view mode, the backlight LED will flash, and click the button of display to the next data. Double-click to the exit checking mode, and backlight LED lights flash.

### 3. High and low voltage indication:

If the voltage is higher or lower than standard, the LCD arrow and LED backlight will flash promptly for warning. Press and hold on the button 30s until LED lights flash stably.

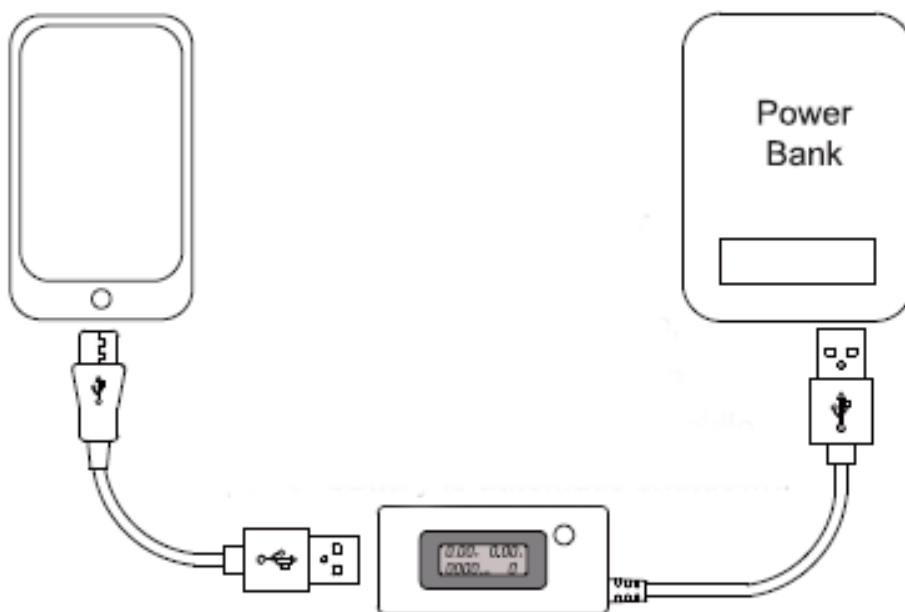
### Power on status:

Connect the power supply to Micro USB or DC to USB cable of the power monitor, LCD display shows the entire content about 1 second (for checking the LCD screen is defective or not), and then displays the last data (capacity, data units), higher, lower voltage or currents warning.

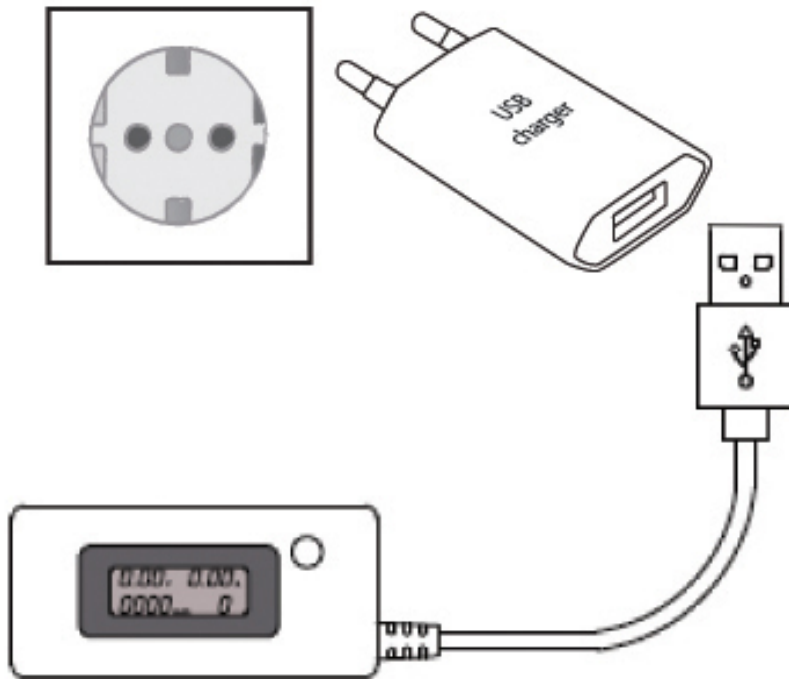
### Test output capacity of power bank:

Plug in the power monitor to the power bank, and turn on the power monitor. Long press the button until the capacity data set to zero. Then connect it into the mobile phone charge several times until the battery of power bank runs out, and then power bank shut down. Disconnect the monitor with mobile phone and power bank. After that, reconnect the power monitor to the power bank. Showing capacity on the power monitor is the output capacity of this power bank. (Please note the actual output capacity is about 60% of the nominal capacity).

### Application Diagram 1:



## Application Diagram 2:



Hereby ASSMANN Electronic GmbH, declares that this device is in compliance with the requirements of Directive 2014/30/EU and the Directive 2011/65/EU for RoHS compliance. The complete declaration of conformity can be requested by post under the below mentioned manufacturer address.

### **Warning:**

This device is a class B product. This equipment may cause some radio interference in living environment. In this case, the user can be requested to undertake appropriate measures to prevent interference.

**www.assmann.com**  
Assmann Electronic GmbH  
Auf dem Schüffel 3  
58513 Lüdenscheid  
Germany

