

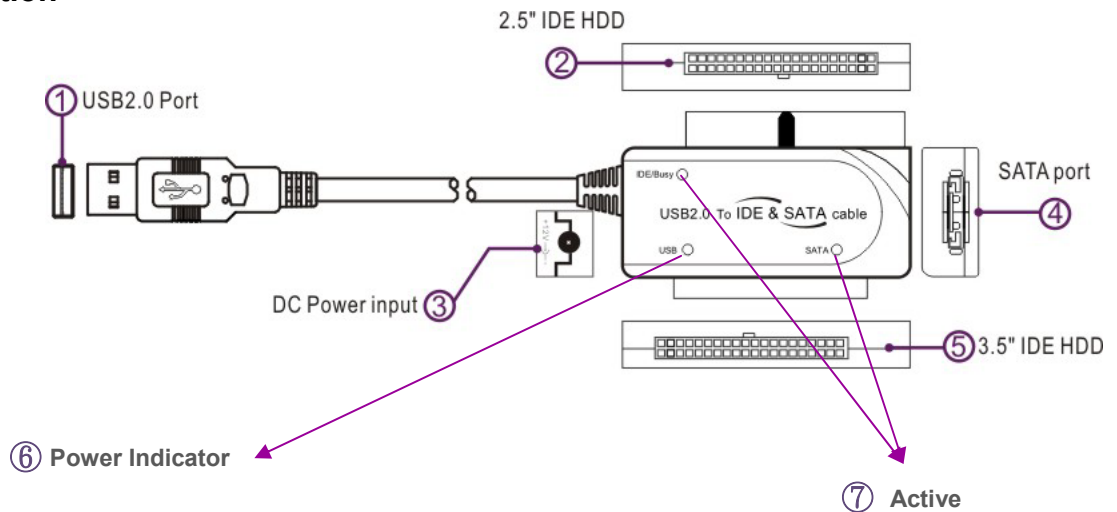
## DA-70200-1 • User's Manual

### USB 2.0 TO IDE & SATA Cable

#### 1. Characteristics

- Support SATA spread-spectrum transmitter
- Support SATA II Asynchronous Signal Recovery (Hot Plug) feature
- Compliance with USB 2.0 (Hi-Speed USB) electrical specification
- Compliance with USB Mass Storage Class Bulk-Only Transport Specification
- Support 480Mbps High Speed (HS) and 12Mbps Full Speed USB operation
- Support ATA/ATAPI-7
- Support ATA/ATAPI Ultra DMA Mode
- Support ATA/ATAPI PACKET command feature set
- Support ATA/ATAPI LBA48 addressing mode
- Support dual LUN (Logic Unit Number) for USB to ATA/ATAPI
- Support Windows 7/8/8.1, Vista, Windows XP, Windows 2000, Windows ME, 98SE
- Need driver installation under Windows 98SE

#### Product introduction



1. USB 2.0 A male
2. IDE port for 2.5" IDE hard drive
3. Power socket for 5V input power adapter
4. SATA port for 2.5"/3.5" SATA hard drive
5. IDE Port for 3.5" IDE hard drive
6. Power Indicator
7. Active: The light will keep flashing when it is detecting the 2.5"/3.5" SATA /IDE hard drive or during the data transferring.

### User tips for HDD installation for 3.5" IDE HDD

- (1) Have IDE Hard Drive to connect with USB 2.0 to SATA & IDE CABLE
- (2) Have the external Power Adapter connect with 3.5" IDE HDD.
- (3) Power on the power adapter, connect the USB 2.0 to IDE & SATA Cable to the PC USB port, the PC can automatically detect the product and the 3.5" IDE HDD.



### For 2.5" IDE HDD

- (1) Have the 2.5" IDE HDD connected with USB 2.0 TO SATA & IDE CABLE.
- (2) Connect the USB 2.0 to IDE & SATA Cable to the PC USB port, the PC can automatically detect the product and the 2.5" IDE HDD.



### For 2.5/3.5" SATA HDD

- (1) Have the 2.5/3.5" SATA HDD connect with USB 2.0 to SATA & IDE CABLE
- (2) Have the external power adapter connect with 2.5"/3.5" SATA HDD.
- (3) Power on the power adapter, connect the USB 2.0 to IDE & SATA Cable to the PC USB port, the PC can automatically detect the product and the 2.5"/3.5" SATA HDD.



## 2. Software Installation

Before installation, please connect the hard disk to the USB 2.0 IDE to SATA Cable

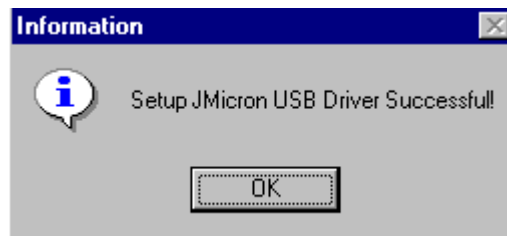
### Windows 98SE

After installing the driver, please restart the computer, and then plug the USB 2.0 TO IDE&SATA CABLE into the computer. It's very important.

- 1) Please put the enclosed CD into the CD-ROM, and doubly click "setup.exe"



- 2) The driver is beginning to install
- 3) When the following screen displays, click 'Finish'



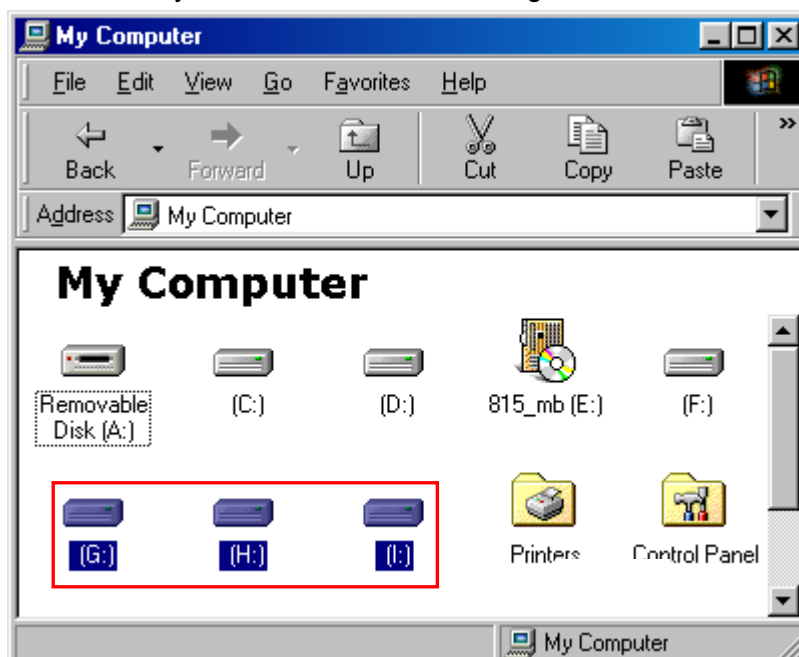
- 4) Please plug USB 2.0 TO IDE&SATA CABLE into the computer. The system will find it and install.

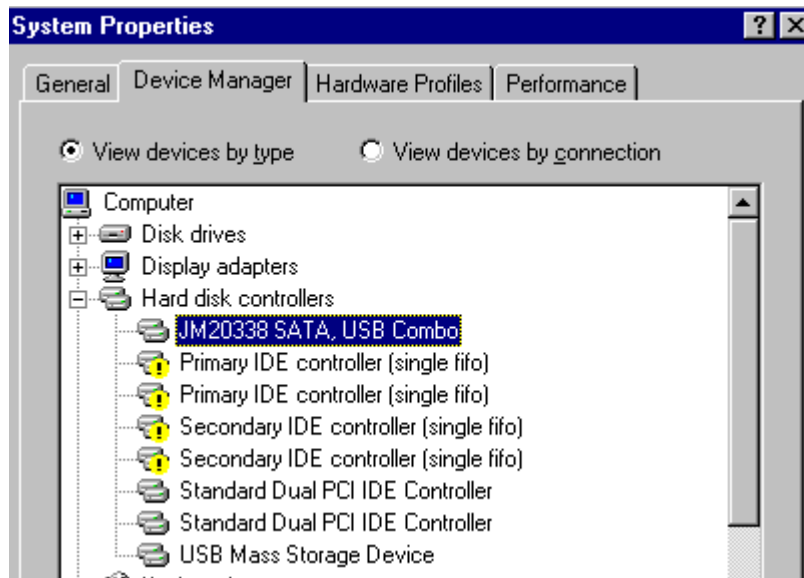
### Windows ME/2000/XP/Vista/7/8/8.1

No need driver installation in those OS platform.

## 3. Verification

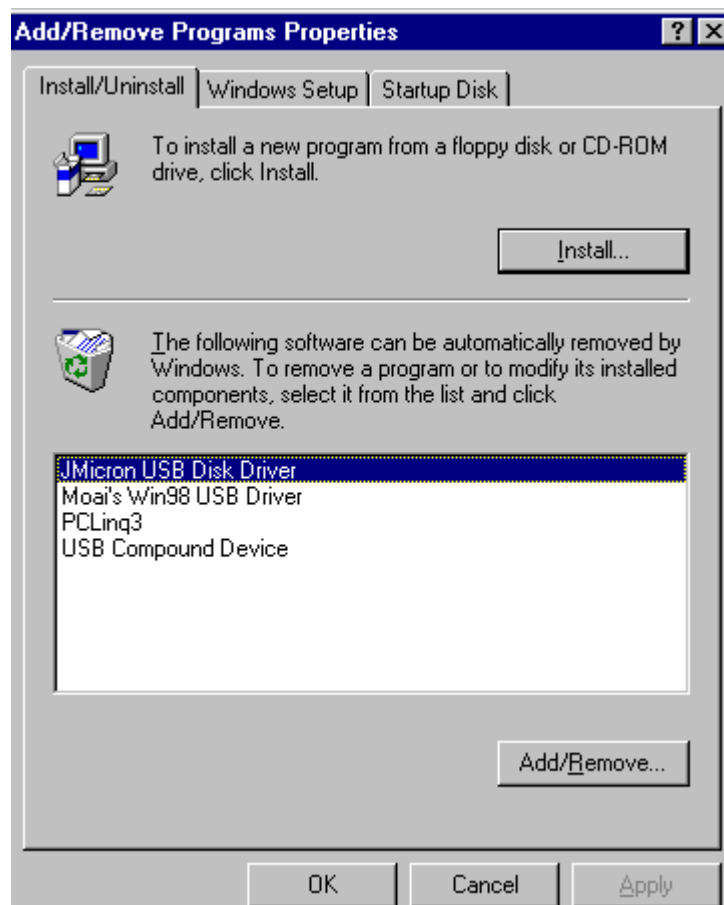
Please track the path "My computer" and "My computer" --> "System Properties" --> "Device Manager" and expand the item "Hard disk controllers", you should meet the following screen.





#### 4. Remove Driver

- 1) Pull out USB 2.0 TO IDE&SATA CABLE from the USB port of the computer
- 2) Then, Open the program "Add or Remove Programs", according to the following pass: Start/ Control Panel/ Add or Remove Programs.
- 3) When the following screen displays, Please click ' JMicron USB Disk Driver', and then click "ADD/Remove...", to begin canceling.



## 5. If you use a all new HDD

- 1) Please use " Fdisk " to set the capacity of your HDD, but this will destroy all the data in the HDD.
- 2) Format your HDD by standard procedures, if you can't find your new HDD, please following the steps in FAQ-1

Note: "Fdisk" or "Format" will destroy all the data and program in the HDD you select. Please make sure there is not any data in it, or all the data have a backup copy.

## 6. FAQ

Q: I could see the icon at the right down comer on the screen, but I still couldn't find my external HDD.

- A:
- a. Please make sure your HDD has been installed correctly.
  - b. Please make sure your HDD has been set in "Master" position,
  - c. Please make sure you have installed correct driver for this USB HDD.
  - d. Please make sure your HDD has been formatted. If no, please format your hard drive first.
  - e. If you are sure you have installed correctly all the hardware and software, please follow the steps as below to catch your HDD.
    - i. Enter "Control Panel" and enter "System" icon
    - ii. Double click it to find a "System Manager".
    - iii. Find a "Disk drivers" category. There should be 3 drivers, double click the HDD
    - iV. Find the "Setting" button and choose the option "Removable Drive"
- V. Your computer will automatically assign a new letter to this USB HDD after restarting your computer

## 7. Caution!!

- a. If you are not sure what OS you are using, please contact your PC dealer.
- b. Please don't put this USB HDD in a humid or high-temperature environment.
- c. If your first installation is failed, please firstly remove the wrong device throngs the path as below:  
path=Control Panel > System > System Properties > Device Manager > Please remove the items with "?" or "!" mark.