



Power Adaptor AC/DC 65W, for Notebook



Manual DA-10170

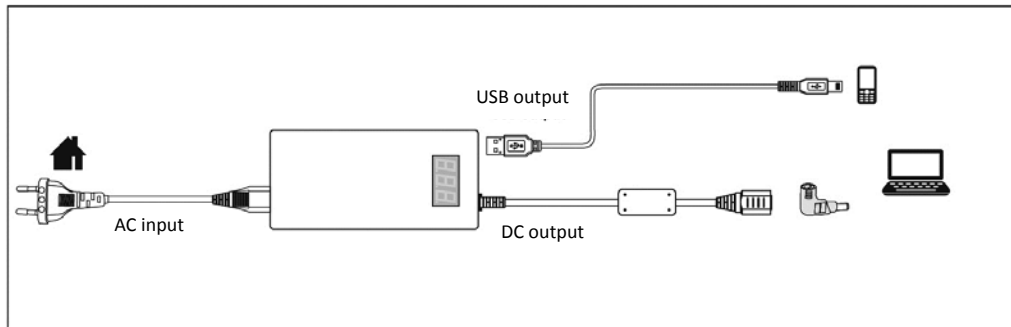
Firstly thank you for purchasing our products. This product is especially designed for charging and supplying power for mini notebooks and digital camera/camcorder. Also the standard USB can charge for mobile phones, MP3, MP4, smart devices or tablets. Our products have acquired many patents and certificates already and the max power can reach at 65W. With the smartest appearance and fashion style, it will be one of the best choices for you and your family.

Product Features

1. Charge or supply power to mini netbooks
2. Charge or supply power to MP3, mobile phones, cameras and camcorders etc.
3. Adopted with SCM computer controlling technique to make sure working precision
4. Switch and display voltage automatically, no fiddly switch, just plug & go
5. Passed the automatic computer electrical overload test and high temperature overload aging test before shipment.
6. Adopted the ABS+PC materials for the case, safe and environmental

7. Self-designing and produced with several applied patents
8. Input AC 100-240V worldwide compatible
9. Output the widest voltage: 8.4V to 24V, with USB 5V

Function Illustration



Product Specification

AC Input: 100~240V 1.3A 50-60Hz

DC Output: 8.4~24V 4A (MAX) 65W (MAX)

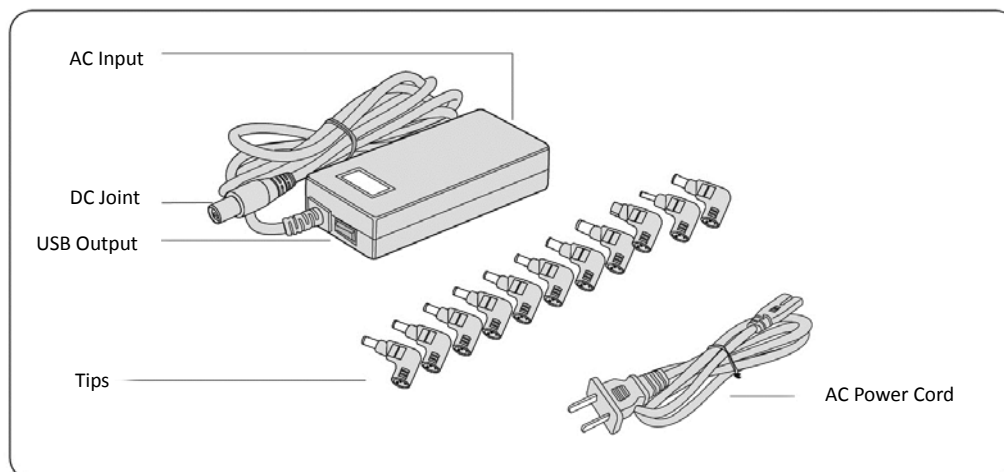
USB output DC 5V 2A (MAX)

Size: 110 x 52 x 25 mm

Product Components

1. Adaptor Body
2. AC power cord
3. 11pcs notebook tips: N04, N07, N09, N11, N18, N19, N22, N23, N24, N35, N36

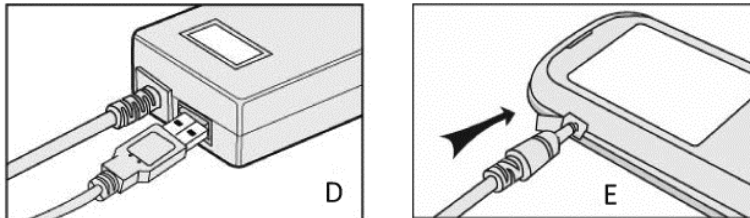
Product Diagram



Operation steps



1. When you want to charge or supply power to netbooks, connect the AC plug into the wall socket (as Picture A) without tips, and choose the right tip to connect the DC output (picture B). Put the joint DC tip to the notebook then it can be used (picture c).



When you use the 5V USB output, connect the USB cable to digital products, and then it can be charged (as Picture D and E)

Important Safety Information

This safety guideline is to help you operate your power adapter safely, to ensure your personal safety and reduce the risk of fire, electric shock or injury.

1. Do not apply external force on the cord.
2. Do not unplug by pulling the cord.
3. Do not connect a binded cord to the power supply.
4. Do not place the cord or device near heating elements.
5. Do not bend the blade or pins of the plug.
6. If there is any strange sound, smoke or odor, pull of the cable immediately.
7. Do not disassemble (It may cause fire or electric shock)
8. Do not put any sharp objects into the venting hole of the product (It may cause fire or electric shock)
9. Ensure to plug the product firmly.
10. Ensure not to use a damaged cable. (It may cause fire or electric shock)
11. Do not place the product on a bed, bag or inside a closet that is not good for ventilation.

12. Always wipe off the product with soft fabric, not water mop. (water may cause electric shock)
13. Keep clean the power plug and the outlet (Dirt may cause a short circuit and fire)
14. Keep the product out of reach of children.
15. Don't unplug the power cord with a wet hand. (It may cause electric shock)
16. Unplug the power cord if you don't use the product for a long time. (It may cause heat, fire and electric shock)

Netbook AC Adaptor DC tips

Tip Spec.	Output Voltage	Voltage Range	Compatible Models
			65W
N04:4.8*1.7*10.7mm	19V	18.1-19.9V	HP/COMPAQ: 18.5V/2.7A, 18.5V/3.5A, 18.5V/3.8A; DELTA: 19V/2.64A; ASUS: 19V/2.64A; NEC: 19V/2.64A
N07:5.5*2.5*10.7mm	19V	18.1-19.9V	IBM: 19V/4.2A; DELTA: 19V/2.64A.; TOSHIBA: 19V/3.16A, 19V/3.42A; LENOVO: 20V/2A; LITEON: 19V/3.16A, 19V/3.42A, 19V/3.95A; NEC: 19V/2.64A, 19V/3.16A; GATEWAY: 19V/3.16A, 19V/3.42A, 19V/3.68A,
N09:6.0*4.3*10.7mm	19.5V	18.5-20.4V	SONY: 19.5V/2.7A, 19.5V/3A, ; FUJITSU: 19V/3.16A, 19V/3.69A,
N11:5.5*1.7*10.7mm	19V	18.1-19.9V	TOSHIBA: 19V/3.95A; ACER: 19V/3.42A; DELTA: 20V/3.5A
N18:5.5*2.1*10.7mm	19V	18.1-19.9V	ACER: 19V/3.16A, 19V/3.42A; LITEON: 19V/3.16A, 19V/3.42A; NEC: 19V/3.16A
N19:5.5*3.0*10.7mm	19V	18.1-19.9V	SAMSUNG: 19V/3.16A, 19V/3.75A
N22:7.4*5.0*12.5mm	19.5V	18.5-20.4V	DELL: 19.5V/3.34A
N23:7.4*5.0*12.5mm	18.5V	17.6-19.4V	HP/COMPAQ: 18.5V/3.5A etc.
N24:7.9*5.5*0.9mm	20V	19-21V	IBM/LENOVO: 20V/3.25A etc.
N35:11*5.6*11mm square tip	20V	19-21V	Lenovo: 20V2.25A, 20V3.25A
N36:4.5*3.0 with pin	19.5V	18.5-20.4V	HP: 19.5V2.31A, 19.5V3.33A

Notes:

1. All listing of brand names are registered trademarks of their respective companies.
2. Not all connectors are available in the package; connectors may be different for different market.

Warranty Specifications

1. Two years of guarantee for our products.
2. The guarantee will be treated as void in case of breakage or manipulation of the seals of guarantee, if the material is damaged, without suitable packing and/or damages of transport and in the case of evident samples of an incorrect manipulation, illegal use, mistreat, blows, falls, dirt... etc
3. This warranty does not cover the damage done to other equipment used in conjunction with this unit.
4. Terms subjected to change without previous notice.

Hereby ASSMANN Electronic GmbH, declares that this device is in compliance with the requirements of Directive 2014/30/EU (EMC), Directive 2014/35/EU (LVD) and the Directive 2011/65/EU for RoHS compliance. The complete declaration of conformity can be requested by post under the below mentioned manufacturer address.

Warning:

This device is a class B product. This equipment may cause some radio interference in living environment. In this case, the user can be requested to undertake appropriate measures to prevent interference.

www.assmann.com
Assmann Electronic GmbH
Auf dem Schüffel 3
58513 Lüdenscheid
Germany

